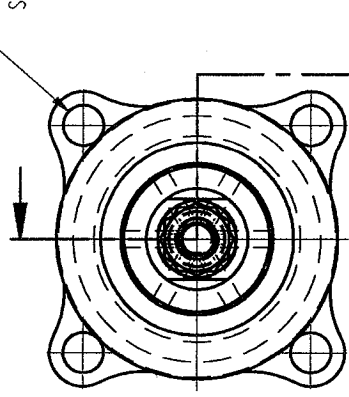


4 HOLES 12Φ EQUI-SPACED ON A 95PD



Mounting hole size = 60
Welded studs M10x60 (not supplied)

- Notes :-
1. Creepage 185 /185
 2. Specification - EN60137 / BS2562:1979 & EN50336
 3. Standard BIL - 75kVp
 4. Items 5 & 7 are screwed and sweated together
 5. If anti rotation stems are required please add letter X to the assembly No EBB0503X.
 6. Approximate bushing weight - 2.7kg

Item No	Part No	Quantity	Description	Material
1	CBP0010	1	Porcelain	Porcelain
2	GAS0001	2	Flange gasket	SCC1120
3	GAS0002	2	End gasket	SCC1120
4	PBC0001	1	Bushing clamp	Mazak
5	CBE0001	1	Fixed contact	Brass
6	STM0028	1	Stem	Brass
7	ECA0001	1	End cap	Brass
8	M12CN	6	Contact nut	Brass
9	M12washer	3	Washer	Brass

BTRAC LTD		NAME	DATE
BRITISH TRANSFORMER COMPONENTS		DSF	24/03/2009
TITLE		ENG. APPR	
INDOOR AIR CABLE BOX BUSHING		UNLESS OTHERWISE SPECIFIED DIMENSIONS ARE IN MILLIMETERS	
FOR USE UP TO 12KV 250A		TOLERANCES UNLESS OTHERWISE STATED	
SIZE	DWG NO	UN-MACHINED CASTINGS +2	
AB	CB80503	UN-MACHINED STAMPINGS +1	
REV		CUT-OFF LENGTHS +1	
0		MACHINED DIMENSIONS +02	
FILE NAME	FABRICATION DIMENSIONS +3		
CB80503.dft	SCALE	1:15	WEIGHT: 2700g

REVISION NOTES